

General Specifications

Sensor resolution	2048 x 1536 pixels
Sensor	Sony Pregius IMX265
Sensor format	1/1.8"
Lens mount	C/CS-mount
Chroma	Mono / color
Shutter	Global shutter
Interface	USB 3.0
Trigger-input	4-pin Binder M8 connector
Stereo baseline distance	5 cm / 10 cm / 25 cm
Mounting bottom side	4x M3 threaded hole 1x 1/4" UNC threaded hole (tripod mount)
Mounting top side	2x M3 threaded hole
Weight without lenses	330 g for 5 cm baseline 350 g for 10 cm baseline 470 g for 25 cm baseline
Conformity	CE, FCC, RoHS

Karmin3 is intended for use with SceneScan or SceneScan Pro image processing systems. Karmin3 is not for individual sale.

Operating Voltages for Trigger Port

Voltage	Description
-70 up to +40 VDC	Absolute max. voltage
0 up to +30 VDC	Safe operating range

Maximum Allowed Lens Intrusion

Mount type	Maximum intrusion
CS-mount	5.2 mm
C-mount	10.2 mm (with 5 mm spacer ring)

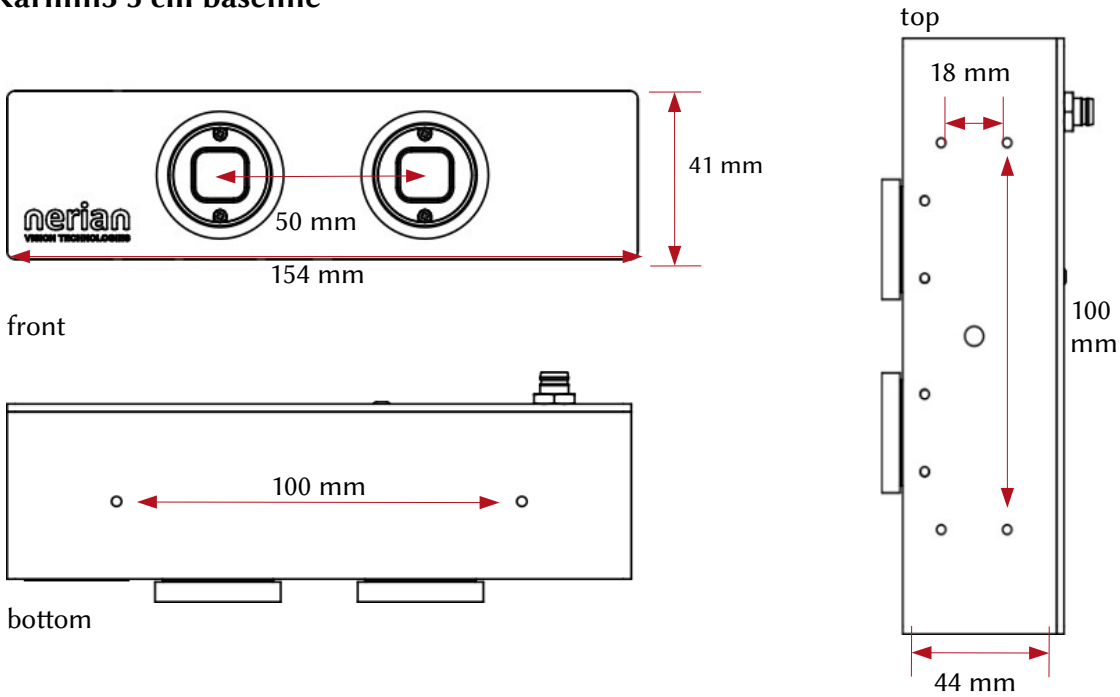
Supported Trigger Frequencies / Frame Rates

Binning / Demosaicing	SceneScan model	Disparity range	Max. frequencies
2 x 2 monochrome binning	SceneScan	128	16 Hz
2 x 2 monochrome binning	SceneScan Pro	256	33 Hz
Demosaicing (color)	SceneScan Pro	256	15 Hz
Full resolution monochrome	SceneScan Pro	256	7 Hz

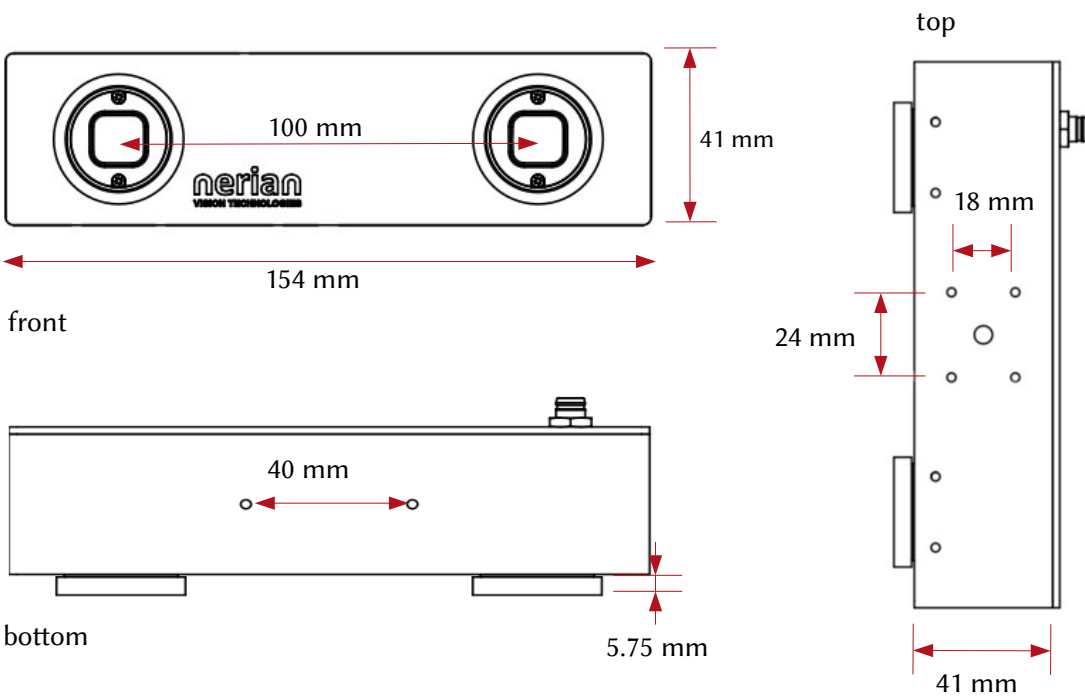


Technical Drawings and Dimensions

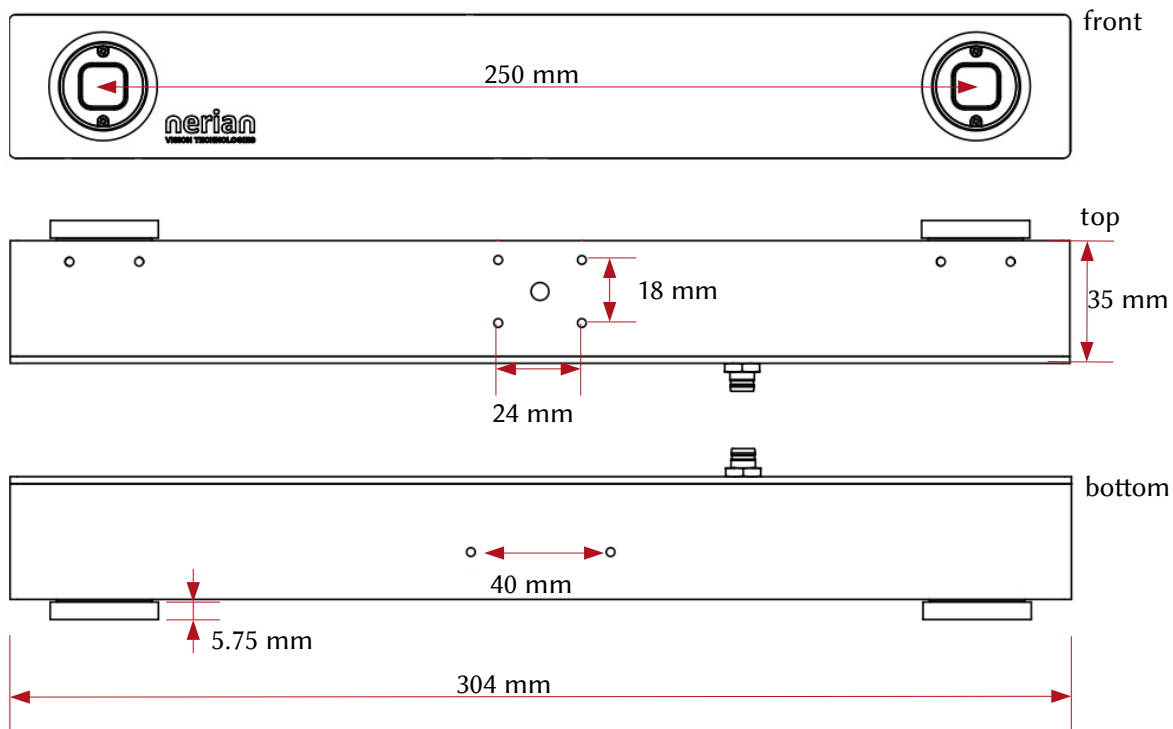
Karmin3 5 cm baseline



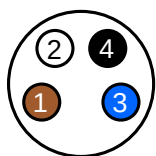
Karmin3 10 cm baseline



Karmin3 25 cm baseline



Pin Assignment of Trigger Connector



Pin	Assignment
1	Trigger 0 (opto-isolated)
2	Not connected
3	Ground (opto-isolated)
4	Not connected

