

General Specifications

Sensor resolution	1600 x 1200 pixels
Sensor	E2v EV76C570
Sensor format	1/1.8"
Lens mount	C/CS-mount
Chroma	Mono / color
Shutter	Global shutter
Interface	USB 3.0
Trigger-input	4-pin Binder M8 connector
Stereo baseline distance	10 cm / 25 cm
Mounting bottom side	4x M3 threaded hole 1x 1/4" UNC threaded hole (tripod mount)
Mounting top side	2x M3 threaded hole
Weight without lenses	280 g for 10 cm baseline 450 g for 25 cm baseline
Conformity	CE, FCC, RoHS

Karmin2 is intended for use with SceneScan or SceneScan Pro image processing systems. Karmin2 is not for individual sale.

Operating Voltages for Trigger Port

Voltage	Description
4.2 VDC	Absolute max. voltage
0 up to 3.4 VDC	Safe operating range

Maximum Allowed Lens Intrusion

Mount type	Lense rear diameter	Maximum intrusion
CS-mount	< 13.5 mm	7.8 mm
	> 13.5 mm	6.0 mm
C-mount	< 13.5 mm	12.8 mm (with 5 mm spacer ring)
	>13.5 mm	11.0 mm (with 5 mm spacer ring)

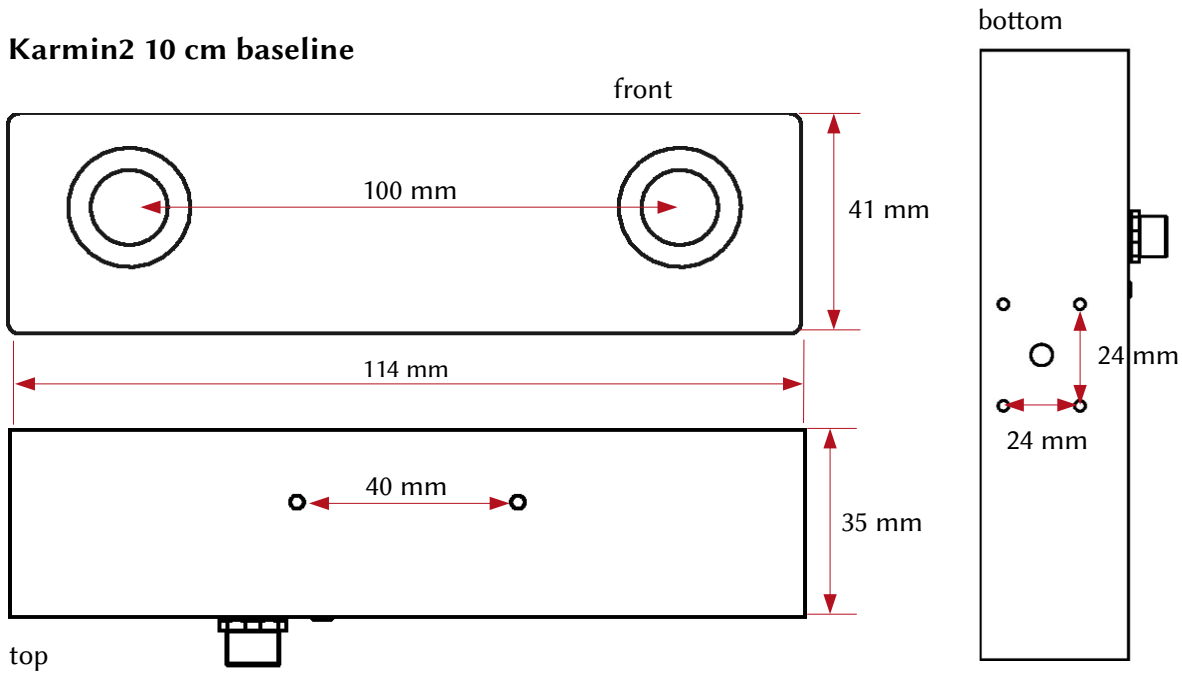
Supported Trigger Frequencies / Frame Rates

Binning / Demosaicing	SceneScan model	Disparity range	Max. frequencies
2 x 2 monochrome binning	SceneScan	128	40 Hz
2 x 2 monochrome binning	SceneScan Pro	256	20 Hz
Demosaicing (color)	SceneScan Pro	192	29 Hz
None	SceneScan Pro	256	8 Hz

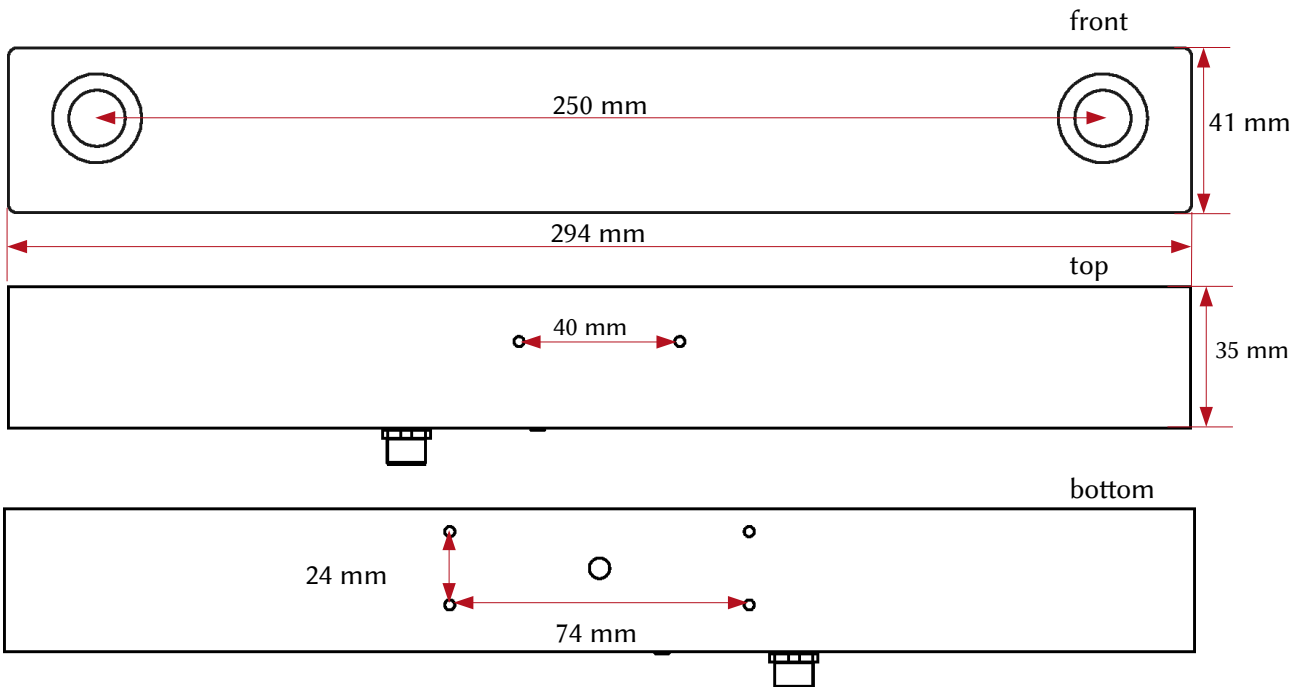


Technical Drawings and Dimensions

Karmin2 10 cm baseline



Karmin2 25 cm baseline



Pin Assignment of Trigger Connector

